



# UNIVERSITY OF THE PHILIPPINES MINDANAO

*Shaping minds that shape the nation*

## INVITATION FOR NEGOTIATED PROCUREMENT (DUE TO TWO FAILED BIDDINGS)

Project Description	<b>SUPPLY OF DATA VISUALIZATION SYSTEM FOR SKAI-PINAS ALAM-LSI PROJECT</b>
Approved Budget for the Contract (ABC)	<b>P700,000.00</b> Bids received in excess of the ABC shall be automatically rejected.
Funding Source	GAA 2022
Project ID	PBM 2023-04

- UP Mindanao, through its Bids and Awards Committee (BAC), now invites technically, legally, and financially capable suppliers for the mentioned goods and services.
- The mode of procurement for this procurement project is Negotiated Procurement due to two (2) failed biddings pursuant to Section 53.1 of the 2016 Revised Implementing Rules and Regulations (IRR) of Republic Act 9184 (RA 9184), otherwise known as the “Government Procurement Reform Act” , including its Annex “H”.  
The BAC will engage in negotiations with a sufficient number of suppliers to ensure effective competition. The selection of the successful offer shall be based on the best and final offer that will be submitted on the date specified below, which could sufficiently meet the technical specifications.
- Interested parties may obtain further information from the BAC Secretariat by electronic mail to [bacgoods.upmin@up.edu.ph](mailto:bacgoods.upmin@up.edu.ph) or [bacsecretariat.upmindanao@up.edu.ph](mailto:bacsecretariat.upmindanao@up.edu.ph).

- Hereunder is the schedule of bidding activities:

Issuance and Availability of Negotiation Documents: from February 10, 2023 until March 6, 2023

Negotiation Meeting: **February 21, 2023 at 10:00 AM**. Bidders may join via Zoom.

Note: Zoom link will only be provided upon request sent to the BAC Secretariat’s email address: [bacsecretariat.upmindanao@up.edu.ph](mailto:bacsecretariat.upmindanao@up.edu.ph).

Submission/Opening of Final Offer: **March 6, 2023 10:00AM**

The Negotiation Documents may be downloaded from the PhilGEPS website and from the UP Mindanao website and may be obtained from the given address below upon payment of the applicable fee for the Bidding Documents, pursuant to the latest Guidelines issued by the GPPB, in the amount indicated in the table below:

Approved Budget for the Contract	Cost of Bidding Documents
----------------------------------	---------------------------

P500,000.00 or less	P500.00
More than P500,000.00 up to P1M	P1,000.00
More than P1,000,000.00 up to P5M	P5,000.00

5. Printed copies of bids must be submitted to the BAC through its Secretariat to the following address:

**SPMO, Administration Building, UP Mindanao, Mintal, Davao City on or before the deadline.**

Late bids shall not be accepted.

Online or electronic submission of bids is no longer allowed.

**DOCUMENTARY REQUIREMENTS**

**I. Technical Component**

- Valid PhilGEPS Registration Certificate (Platinum Membership) (all pages) and
- Technical Specifications.


**II. Financial Component**

- Bid Form (each page should bear the ink signature of the authorized signatory)
- Price Schedule (each page should bear the ink signature of the authorized signatory), and
- Authority of the Signatory (Special Power of Attorney or Board Secretary’s Certificate).

Each Bidder shall submit one copy of the first and second components of its Bid. Bidders are requested to submit two additional hard copies (Copy 1 and Copy 2) of their bid. However, failure of the Bidders to comply with the said request shall not be a ground for disqualification.

6. The University of the Philippines Mindanao reserves the right to reject any and all bids, declare a failure of bidding, or not award the contract in accordance with Section 41 of the 2016 IRR of RA 9184, without thereby incurring any liability to the affected bidder or bidders.

You may contact the BAC Secretariat at the address above or by electronic mail to [bacsecretariat.upmindanao@up.edu.ph](mailto:bacsecretariat.upmindanao@up.edu.ph) for more details.

  
**PROF. CLETO L. NAÑOLA JR.**  
 BAC Chair

## TECHNICAL SPECIFICATIONS

Item	Specification	Statement of Compliance
	<p><b>General terms for all lots</b></p> <p>For Equipment:</p> <p>1) The equipment must come from a credible manufacturer with support through a distributor in the country; and</p> <p>2) The equipment must be brand new and unused.</p>	<p><i>[Bidders must state here either “Comply” or “Not Comply” against each of the individual parameters of each Specification stating the corresponding performance parameter of the equipment offered. Statements of “Comply” or “Not Comply” must be supported by evidence in a Bidders Bid and cross-referenced to that evidence. Evidence shall be in the form of manufacturer’s un-amended sales literature, unconditional statements of specification and compliance issued by the manufacturer, samples, independent test data, as appropriate. A statement that is not supported by evidence or is subsequently found to be contradicted by the evidence presented will render the Bid under evaluation liable for rejection. A statement either in the Bidder's statement of compliance or the supporting evidence that is found to be false either during Bid evaluation, post-qualification or the execution of the Contract may be regarded as fraudulent and render the Bidder or supplier liable for prosecution subject to the applicable laws and issuances.]</i></p>

Item	Specification	Statement of Compliance
<p><b>Data Visualization System</b>      <b>ABC: Php 700,000.00</b></p> <p>Delivery period: <b>Thirty (30) to sixty (60) calendar days</b>                      Delivery and Installation: <b>CARIM Bldg., UP Mindanao, Mintal, Tugbok District, Davao City</b></p>		
<p>1</p>	<p><b>Technical Specifications:</b></p> <ul style="list-style-type: none"> <li>● <b>4 x Digital Signage Display</b>, each with the following:                             <ul style="list-style-type: none"> <li>○ Video Wall Daisy Chain (10x10)</li> <li>○ At least 46" diagonal</li> <li>○ Resolution: 1920 x 1080 FHD</li> <li>○ Brightness: 500 nits</li> <li>○ Haze: 25%</li> <li>○ Color Gamut: 72%</li> <li>○ Active Display Area: 1018.08mm(H) x 572.6mm(V)</li> <li>○ Viewing Angle(H/V): 178/178</li> <li>○ Pixel Pitch: 0.53x0.53 mm</li> <li>○ Contrast Ratio: 1200:1</li> <li>○ Input: HDMI 2.0 (2) /DVI-D, DisplayPort 1.2 (Video), Stereo mini jack (audio), USB 2.0</li> <li>○ Output: DP1.2 (Loop-out), Stereo mini jack</li> <li>○ VESA Mount: 600mm x 400mm</li> <li>○ Operation Hour: 24/7</li> <li>○ Power Supply: AC 100 - 240 V, 50/60 Hz</li> <li>○ Inclusions: Power Cord, RS232C(IN) Gender (Stereo to DB-9), Remote Controller + Batteries, DP cable</li> <li>○ External Control: RS232C(in/out), RJ45 in</li> <li>○ Certification: 60950-1 (Safety), Class A (EMC), IP5x (IP Rating)</li> <li>○ Compatible with most operating systems</li> <li>○ Warranty: at least 3 years parts, 3 years labor, and 3 years onsite service</li> </ul> </li> <li>● <b>1 x Mini PC</b> <ul style="list-style-type: none"> <li>○ Operating System: Linux / Windows 10 or 11</li> <li>○ Intel Core i7 11th Gen</li> <li>○ At least 4 display output ports (2 HDMI, 2 Type C or 2 DP)</li> <li>○ At least 16GB memory</li> <li>○ At least 500GB SSD</li> <li>○ Connectivity: Ethernet, Wi-Fi, USB (preferably with Bluetooth)</li> <li>○ Warranty: at least 1 year</li> </ul> </li> <li>● <b>1 x Free-Standing Mount</b> (<i>see Figure 1</i>)                             <ul style="list-style-type: none"> <li>○ For 4 x 46"-55" displays</li> <li>○ 4 x mount brackets: 100x100 to 600x400 VESA Patterns (must be compatible with the VESA mount of 4 x Digital Signage Display)</li> <li>○ Must be able to support the 4 x Digital Signage Display</li> </ul> </li> </ul>	

	<ul style="list-style-type: none"><li>○ With at least 4 caster wheels</li><li>○ Warranty: at least 1 year</li></ul> <p><b>Inclusions:</b></p> <ul style="list-style-type: none"><li>● Inclusive of installation, configuration, knowledge transfer, service and delivery fees, and all other charges</li></ul>	
<p><b>Additional Requirements:</b></p> <ol style="list-style-type: none"><li>1. BROCHURE FOR EACH ITEM, specifying its make/model/unit number and specifications.</li></ol>		

**(TECHNICAL SPECIFICATIONS)**

**BID NO : PBM 2023-04**

**DATE :**

<b>REQUIRED SPECIFICATIONS</b>	<b>OFFERED SPECIFICATIONS</b> (please write down detailed offered specifications)	<b>REFERENCES</b> (include supporting documents) (attach brochure / technical data/ website, etc.)
<b>Item 1 – Digital Signage Display - 4 units</b>	Brand and model:	
Video Wall Daisy Chain (10x10)		
At least 46” diagonal		
Resolution: 1920 x 1080 FHD		
Brightness: 500 nits		
Haze: 25%		
Color Gamut: 72%		
Active Display Area: 1018.08mm(H) x 572.6mm(V)		
Viewing Angle(H/V): 178/178		
Pixel Pitch: 0.53x0.53 mm		
Contrast Ratio: 1200:1		
Input: HDMI 2.0 (2) /DVI-D, DisplayPort 1.2 (Video), Stereo mini jack (audio), USB 2.0		
Output: DP1.2 (Loop-out), Stereo mini jack		
VESA Mount: 600mm x 400mm		
Operation Hour: 24/7		
Power Supply: AC 100 - 240 V, 50/60 Hz		
Inclusions: Power Cord, RS232C(IN) Gender (Stereo to DB-9), Remote Controller + Batteries, DP cable		

*Note to Bidders:*

The terms of payment shall be as follows: *upon complete delivery of all items/services.*

Signature of Representative \_\_\_\_\_  
Name of Representative \_\_\_\_\_  
Position \_\_\_\_\_  
Company \_\_\_\_\_  
Address \_\_\_\_\_  
Telephone/Fax/Email \_\_\_\_\_

External Control: RS232C(in/out), RJ45 in		
Certification: 60950-1 (Safety), Class A (EMC), IP5x (IP Rating)		
Compatible with most operating systems		
Delivery schedule: within <b>90 calendar days</b> upon receipt of Notice to Proceed Place of delivery: <b>CARIM Bldg., UP Mindanao, Mintal, Tugbok District, Davao City</b>		
Warranty: at least 3 years parts, 3 years labor, and 3 years onsite service		
Prototype/ Demo Unit Sample: <b>[none required ]</b> (required during post-qual, if applicable; state “none required/not applicable” if not)		
<b>Item 2 – Mini PC - 1 unit</b>	Brand and model:	
Operating System: Linux / Windows 10 or 11		
Intel Core i7 11 <sup>th</sup> Gen		
At least 4 display output ports (2 HDMI, 2 Type C or 2 DP)		
At least 16GB memory		
At least 500GB SSD		
Connectivity: Ethernet, Wi-Fi, USB (preferably with Bluetooth)		
Delivery schedule: within <b>90 calendar days</b> upon receipt of Notice to Proceed Place of delivery: <b>CARIM Bldg., UP Mindanao, Mintal, Tugbok District, Davao City</b>		
Warranty: at least 1 year		

*Note to Bidders:*

The terms of payment shall be as follows: *upon complete delivery of all items/services.*

Signature of Representative \_\_\_\_\_  
Name of Representative \_\_\_\_\_  
Position \_\_\_\_\_  
Company \_\_\_\_\_  
Address \_\_\_\_\_  
Telephone/Fax/Email \_\_\_\_\_

Prototype/ Demo Unit Sample: [ <b>none required</b> ] (required during post-qual, if applicable; state "none required/not applicable" if not)		
<b>Item 3 – Free-Standing Mount - 1 unit</b>	Brand and model:	
For 4 x 46” – 55” displays		
4 x mount brackets: 100x100 to 600x400 VESA Patterns (must be compatible with the VESA mount of 4 x Digital Signage Display)		
Must be able to support the 4 x Digital Signage Display		
With at least 4 caster wheels		
Delivery schedule: within <b>90 calendar days</b> upon receipt of Notice to Proceed Place of delivery: <b>CARIM Bldg., UP Mindanao, Mintal, Tugbok District, Davao City</b>		
Warranty: at least 1 year		
Prototype/ Demo Unit Sample: [ <b>none required</b> ] (required during post-qual, if applicable; state "none required/not applicable" if not)		
Inclusions for Items 1 to 3: a. Inclusive of installation, configuration, knowledge transfer, service and delivery fees, and all other charges		
Additional Requirements for Items 1 to 3: 1. BROCHURE OF EACH ITEM, specifying its make/model/unit number and specifications.		

*Note to Bidders:*

The terms of payment shall be as follows: *upon complete delivery of all items/services.*

Signature of Representative \_\_\_\_\_  
Name of Representative \_\_\_\_\_  
Position \_\_\_\_\_  
Company \_\_\_\_\_  
Address \_\_\_\_\_  
Telephone/Fax/Email \_\_\_\_\_



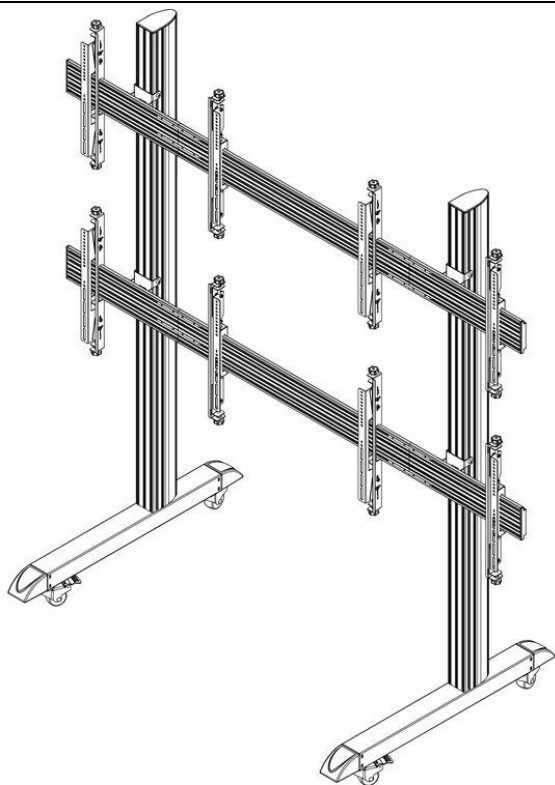


Figure 1. Free-Standing Mount

*In compliance with Republic Act No. 9184, Section 18, and the 2016 Revised Implementing Rules and Regulations, Section 18, brand names are used because of compatibility with existing platforms or equipment which will maintain performance, functionality and useful life.*

*Note to Bidders:*

*The terms of payment shall be as follows: upon complete delivery of all items/services.*

Signature of Representative \_\_\_\_\_  
Name of Representative \_\_\_\_\_  
Position \_\_\_\_\_  
Company \_\_\_\_\_  
Address \_\_\_\_\_  
Telephone/Fax/Email \_\_\_\_\_

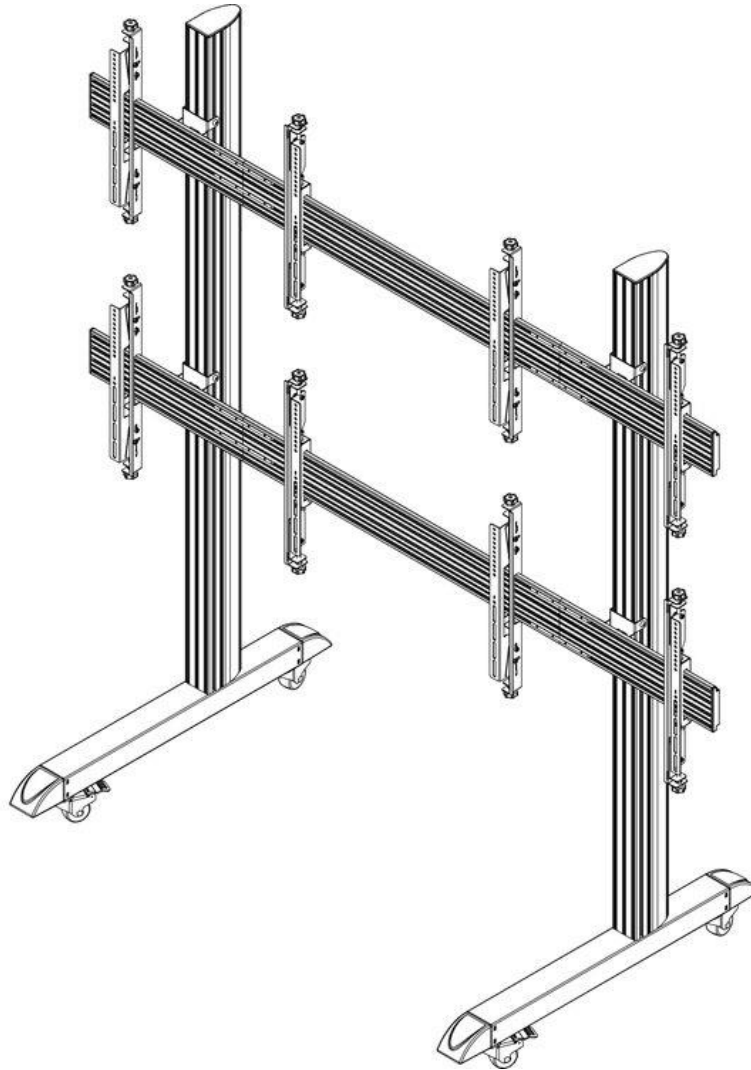


Figure 1. Free-Standing Mount

*Note to Bidders:*

The terms of payment shall be as follows: *upon complete delivery of all items/services.*

Signature of Representative \_\_\_\_\_  
Name of Representative \_\_\_\_\_  
Position \_\_\_\_\_  
Company \_\_\_\_\_  
Address \_\_\_\_\_  
Telephone/Fax/Email \_\_\_\_\_

**BID FORM**

Date : \_\_\_\_\_

Project Identification No. : \_\_\_\_\_

To: *[name and address of Procuring Entity]*

Having examined the Philippine Bidding Documents (PBDs) including the Supplemental or Bid Bulletin Numbers *[insert numbers]*, the receipt of which is hereby duly acknowledged, we, the undersigned, offer to *[supply/deliver/perform]* *[Lot No. and description of the Goods]* in conformity with the said PBDs for the sum of *[total Bid amount in words and figures]* or the total calculated bid price, as evaluated and corrected for computational errors, and other bid modifications in accordance with the Price Schedules attached herewith and made part of this Bid. The total bid price includes the cost of all taxes, such as, but not limited to: *[specify the applicable taxes, e.g. (i) value added tax (VAT), (ii) income tax, (iii) local taxes, and (iv) other fiscal levies and duties]*, which are itemized herein or in the Price Schedules,

If our Bid is accepted, we undertake:

- a. to deliver the goods in accordance with the delivery schedule specified in the Schedule of Requirements of the Philippine Bidding Documents (PBDs);
- b. to provide a performance security in the form, amounts, and within the times prescribed in the PBDs;
- c. to abide by the Bid Validity Period specified in the PBDs and it shall remain binding upon us at any time before the expiration of that period.

Until a formal Contract is prepared and executed, this Bid, together with your written acceptance thereof and your Notice of Award, shall be binding upon us.

We understand that you are not bound to accept the Lowest Calculated Bid or any Bid you may receive.

We certify/confirm that we comply with the eligibility requirements pursuant to the PBDs.

The undersigned is authorized to submit the bid on behalf of *[name of the bidder]* as evidenced by the attached *[state the written authority]*.

We acknowledge that **failure to sign each and every page of this Bid Form**, including the attached **Schedule of Prices**, shall be a ground for the rejection of our bid.

Name: \_\_\_\_\_

Legal capacity: \_\_\_\_\_

Signature: \_\_\_\_\_

Duly authorized to sign the Bid for and behalf of: \_\_\_\_\_

Date: \_\_\_\_\_

**Price Schedule for Goods Offered from Within the Philippines**  
*[shall be submitted with the Bid if bidder is offering goods from within the Philippines]*

**For Goods Offered from Within the Philippines**

Name of Bidder \_\_\_\_\_ Project ID No. PBM 2023-04 Page \_\_\_\_ of \_\_\_\_

1	2	3	4	5	6	7	8	9	10
Item	Description	Country of origin	Quantity	Unit price EXW per item	Transportation and all other costs incidental to delivery, per item	Sales and other taxes payable if Contract is awarded, per item	Cost of Incidental Services, if applicable, per item	Total Price, per unit  (col 5+6+7+8)	Total Price delivered Final Destination  (col 9) x (col 4)
	<b>LOT 1: Data Visualization System</b>								
1	<b>Specifications:</b> <ul style="list-style-type: none"> <li>● <b>4 x Digital Signage Display</b>, each with the following:                             <ul style="list-style-type: none"> <li>○ Video Wall Daisy Chain (10x10)</li> <li>○ At least 46" diagonal</li> <li>○ Resolution: 1920 x 1080 FHD</li> <li>○ Brightness: 500 nits</li> <li>○ Haze: 25%</li> <li>○ Color Gamut: 72%</li> <li>○ Active Display Area: 1018.08mm(H) x 572.6mm(V)</li> <li>○ Viewing Angle(H/V): 178/178</li> <li>○ Pixel Pitch: 0.53x0.53 mm</li> </ul> </li> </ul>								

Signature Over Printed Name: \_\_\_\_\_

	<ul style="list-style-type: none"> <li>○ Contrast Ratio: 1200:1</li> <li>○ Input: HDMI 2.0 (2) /DVI-D, DisplayPort 1.2 (Video), Stereo mini jack (audio), USB 2.0</li> <li>○ Output: DP1.2 (Loop-out), Stereo mini jack</li> <li>○ VESA Mount: 600mm x 400mm</li> <li>○ Operation Hour: 24/7</li> <li>○ Power Supply: AC 100 - 240 V, 50/60 Hz</li> <li>○ Inclusions: Power Cord, RS232C(IN) Gender (Stereo to DB-9), Remote Controller + Batteries, DP cable</li> <li>○ External Control: RS232C(in/out), RJ45 in</li> <li>○ Certification: 60950-1 (Safety), Class A (EMC), IP5x (IP Rating)</li> <li>○ Compatible with most operating systems</li> <li>○ Warranty: at least 3 years parts, 3 years labor, and 3 years onsite service</li> </ul> <ul style="list-style-type: none"> <li>● <b>1 x Mini PC</b> <ul style="list-style-type: none"> <li>○ Operating System: Linux / Windows 10 or 11</li> <li>○ Intel Core i7 11th Gen</li> <li>○ At least 4 display output ports (2 HDMI, 2 Type C or 2 DP)</li> <li>○ At least 16GB memory</li> <li>○ At least 500GB SSD</li> <li>○ Connectivity: Ethernet, Wi-Fi, USB (preferably with Bluetooth)</li> <li>○ Warranty: at least 1 year</li> </ul> </li> </ul>								
--	--	--	--	--	--	--	--	--	--

Signature Over Printed Name: \_\_\_\_\_

	<ul style="list-style-type: none"> <li>● <b>1 x Free-Standing Mount</b> <ul style="list-style-type: none"> <li>○ For 4 x 46"-55" displays</li> <li>○ 4 x mount brackets: 100x100 to 600x400 VESA Patterns (must be compatible with the VESA mount of 4 x Digital Signage Display)</li> <li>○ With at least 4 caster wheels</li> <li>○ Warranty: at least 1 year</li> </ul> </li> </ul> <p><b>Inclusions:</b></p> <ul style="list-style-type: none"> <li>● Inclusive of installation, configuration, knowledge transfer, service and delivery fees, and all other charges</li> </ul> <p><b>Additional Requirement:</b></p> <ol style="list-style-type: none"> <li>1. BROCHURE FOR EACH ITEM, specifying its make/model/unit number and specifications.</li> </ol>								
--	--	--	--	--	--	--	--	--	--

Name: \_\_\_\_\_

Legal Capacity: \_\_\_\_\_

Signature: \_\_\_\_\_

Duly authorized to sign the Bid for and behalf of: \_\_\_\_\_